

Sl. No.	Area (sq. m)	Area (sq. ft)	Area (sq. m)	Area (sq. ft)	Area (sq. m)	Area (sq. ft)	Area (sq. m)	Area (sq. ft)
241	100.000	1076.413	100.000	1076.413	100.000	1076.413	100.000	1076.413
242	100.000	1076.413	100.000	1076.413	100.000	1076.413	100.000	1076.413
243	100.000	1076.413	100.000	1076.413	100.000	1076.413	100.000	1076.413
244	100.000	1076.413	100.000	1076.413	100.000	1076.413	100.000	1076.413
245	100.000	1076.413	100.000	1076.413	100.000	1076.413	100.000	1076.413
246	100.000	1076.413	100.000	1076.413	100.000	1076.413	100.000	1076.413
247	100.000	1076.413	100.000	1076.413	100.000	1076.413	100.000	1076.413
248	100.000	1076.413	100.000	1076.413	100.000	1076.413	100.000	1076.413
249	100.000	1076.413	100.000	1076.413	100.000	1076.413	100.000	1076.413
250	100.000	1076.413	100.000	1076.413	100.000	1076.413	100.000	1076.413
251	100.000	1076.413	100.000	1076.413	100.000	1076.413	100.000	1076.413
252	100.000	1076.413	100.000	1076.413	100.000	1076.413	100.000	1076.413
253	100.000	1076.413	100.000	1076.413	100.000	1076.413	100.000	1076.413
254	100.000	1076.413	100.000	1076.413	100.000	1076.413	100.000	1076.413
255	100.000	1076.413	100.000	1076.413	100.000	1076.413	100.000	1076.413
256	100.000	1076.413	100.000	1076.413	100.000	1076.413	100.000	1076.413
257	100.000	1076.413	100.000	1076.413	100.000	1076.413	100.000	1076.413
258	100.000	1076.413	100.000	1076.413	100.000	1076.413	100.000	1076.413
259	100.000	1076.413	100.000	1076.413	100.000	1076.413	100.000	1076.413
260	100.000	1076.413	100.000	1076.413	100.000	1076.413	100.000	1076.413
261	100.000	1076.413	100.000	1076.413	100.000	1076.413	100.000	1076.413
262	100.000	1076.413	100.000	1076.413	100.000	1076.413	100.000	1076.413
263	100.000	1076.413	100.000	1076.413	100.000	1076.413	100.000	1076.413
264	100.000	1076.413	100.000	1076.413	100.000	1076.413	100.000	1076.413
265	100.000	1076.413	100.000	1076.413	100.000	1076.413	100.000	1076.413
266	100.000	1076.413	100.000	1076.413	100.000	1076.413	100.000	1076.413
267	100.000	1076.413	100.000	1076.413	100.000	1076.413	100.000	1076.413
268	100.000	1076.413	100.000	1076.413	100.000	1076.413	100.000	1076.413
269	100.000	1076.413	100.000	1076.413	100.000	1076.413	100.000	1076.413
270	100.000	1076.413	100.000	1076.413	100.000	1076.413	100.000	1076.413
271	100.000	1076.413	100.000	1076.413	100.000	1076.413	100.000	1076.413
272	100.000	1076.413	100.000	1076.413	100.000	1076.413	100.000	1076.413
273	100.000	1076.413	100.000	1076.413	100.000	1076.413	100.000	1076.413
274	100.000	1076.413	100.000	1076.413	100.000	1076.413	100.000	1076.413
275	100.000	1076.413	100.000	1076.413	100.000	1076.413	100.000	1076.413
276	100.000	1076.413	100.000	1076.413	100.000	1076.413	100.000	1076.413
277	100.000	1076.413	100.000	1076.413	100.000	1076.413	100.000	1076.413
278	100.000	1076.413	100.000	1076.413	100.000	1076.413	100.000	1076.413
279	100.000	1076.413	100.000	1076.413	100.000	1076.413	100.000	1076.413
280	100.000	1076.413	100.000	1076.413	100.000	1076.413	100.000	1076.413
281	100.000	1076.413	100.000	1076.413	100.000	1076.413	100.000	1076.413
282	100.000	1076.413	100.000	1076.413	100.000	1076.413	100.000	1076.413
283	100.000	1076.413	100.000	1076.413	100.000	1076.413	100.000	1076.413
284	100.000	1076.413	100.000	1076.413	100.000	1076.413	100.000	1076.413
285	100.000	1076.413	100.000	1076.413	100.000	1076.413	100.000	1076.413
286	100.000	1076.413	100.000	1076.413	100.000	1076.413	100.000	1076.413
287	100.000	1076.413	100.000	1076.413	100.000	1076.413	100.000	1076.413
288	100.000	1076.413	100.000	1076.413	100.000	1076.413	100.000	1076.413
289	100.000	1076.413	100.000	1076.413	100.000	1076.413	100.000	1076.413
290	100.000	1076.413	100.000	1076.413	100.000	1076.413	100.000	1076.413
291	100.000	1076.413	100.000	1076.413	100.000	1076.413	100.000	1076.413
292	100.000	1076.413	100.000	1076.413	100.000	1076.413	100.000	1076.413
293	100.000	1076.413	100.000	1076.413	100.000	1076.413	100.000	1076.413
294	100.000	1076.413	100.000	1076.413	100.000	1076.413	100.000	1076.413
295	100.000	1076.413	100.000	1076.413	100.000	1076.413	100.000	1076.413
296	100.000	1076.413	100.000	1076.413	100.000	1076.413	100.000	1076.413
297	100.000	1076.413	100.000	1076.413	100.000	1076.413	100.000	1076.413
298	100.000	1076.413	100.000	1076.413	100.000	1076.413	100.000	1076.413
299	100.000	1076.413	100.000	1076.413	100.000	1076.413	100.000	1076.413
300	100.000	1076.413	100.000	1076.413	100.000	1076.413	100.000	1076.413

STAMP OF APPROVAL 01/02

MAHARASHTRA STATE ROAD DEVELOPMENT CORPORATION LTD.

Special Project - **Smart City Project-1**

ES-1A LAYOUT NOTIONED

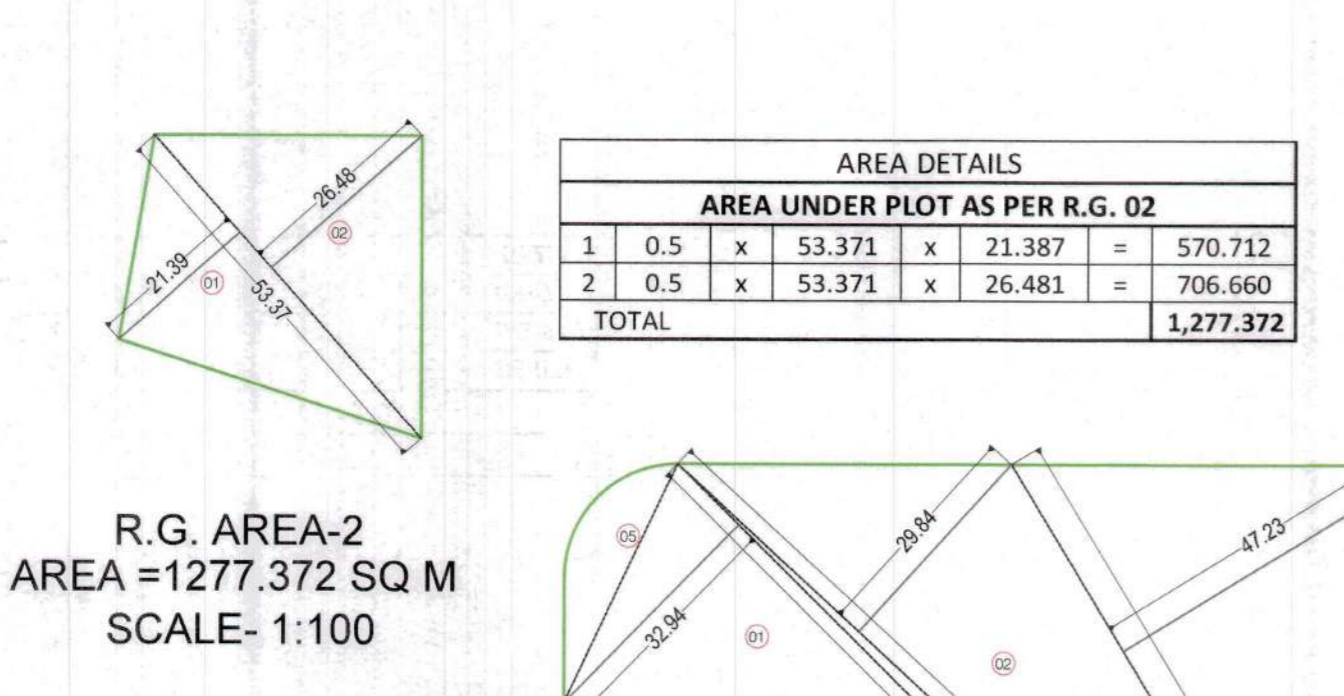
Subject to Conditions mentioned in this office's letter No. **MSRDC/SP/DP/240/Layout Approval/2023/0529**

Dated **14/10/2023**

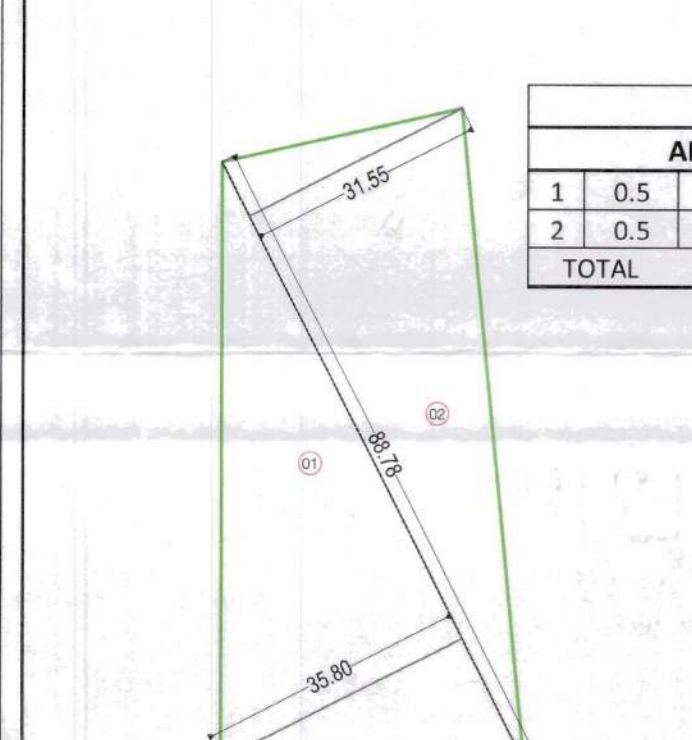
(Signature)
AUTHORISED SIGNATORY

O.C. Signed by
Vivek Chavan & Managing Director

Sl. No.	Survey No.	Owner Name	Village	AS PER 7/12/2014 (sq. m)
1	146/1		Nadhal	2,350
2	146/2		Nadhal	180
3	146/3		Nadhal	2,500
4	146/4		Nadhal	3,010
5	146/5/A		Nadhal	46,080
6	152/1	Riyasat Infra Developers Pvt Ltd	Nadhal	1,450
7	152/2		Nadhal	350
8	153		Nadhal	36,200
9	154		Nadhal	6,780
10	156/1		Nadhal	100
11	156/3		Nadhal	19,710
12	158/2/A		Nadhal	20,360
13	159/2		Nadhal	8,610
				147,690



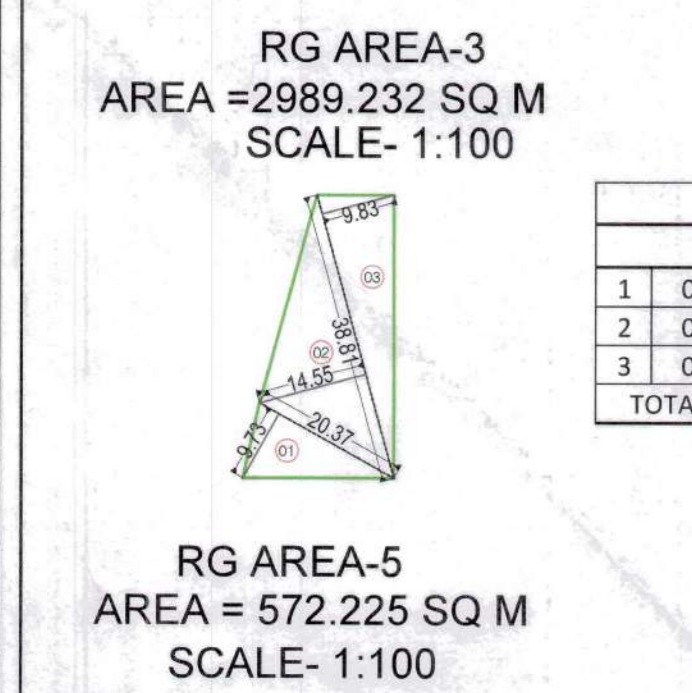
AREA UNDER PLOT AS PER R.G. 02	
1	0.5 x 53.371 x 21.387 = 570.712
2	0.5 x 53.371 x 26.481 = 706.660
TOTAL	1,277.372



AREA UNDER PLOT AS PER R.G. 03	
1	0.5 x 88.776 x 35.799 = 1,589.017
2	0.5 x 88.776 x 35.799 = 1,400.215
TOTAL	2,989.232

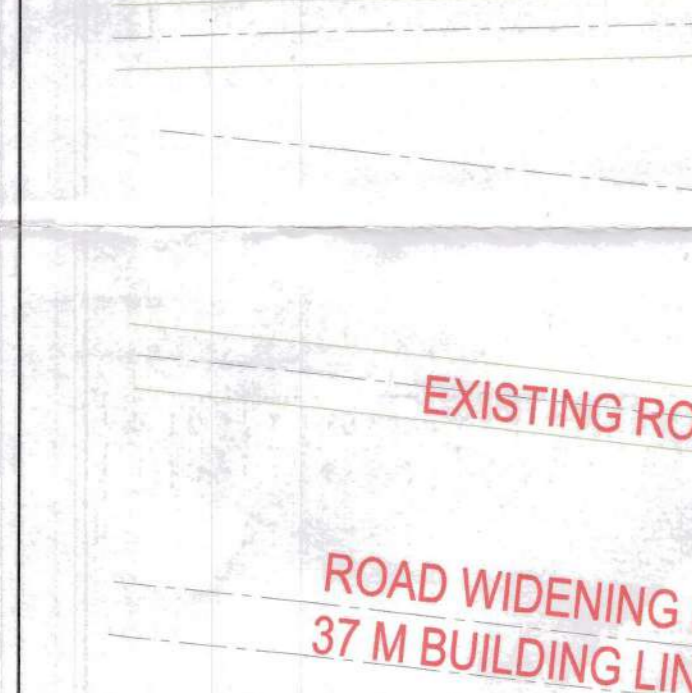


AREA UNDER PLOT AS PER R.G. 01	
1	0.5 x 139.631 x 32.945 = 2,300.064
2	0.5 x 139.631 x 4.997 = 348.807
3	0.5 x 139.631 x 4.997 = 348.807
4	0.5 x 139.631 x 4.997 = 348.807
5	0.5 x 139.631 x 4.997 = 348.807
TOTAL	7,361.548

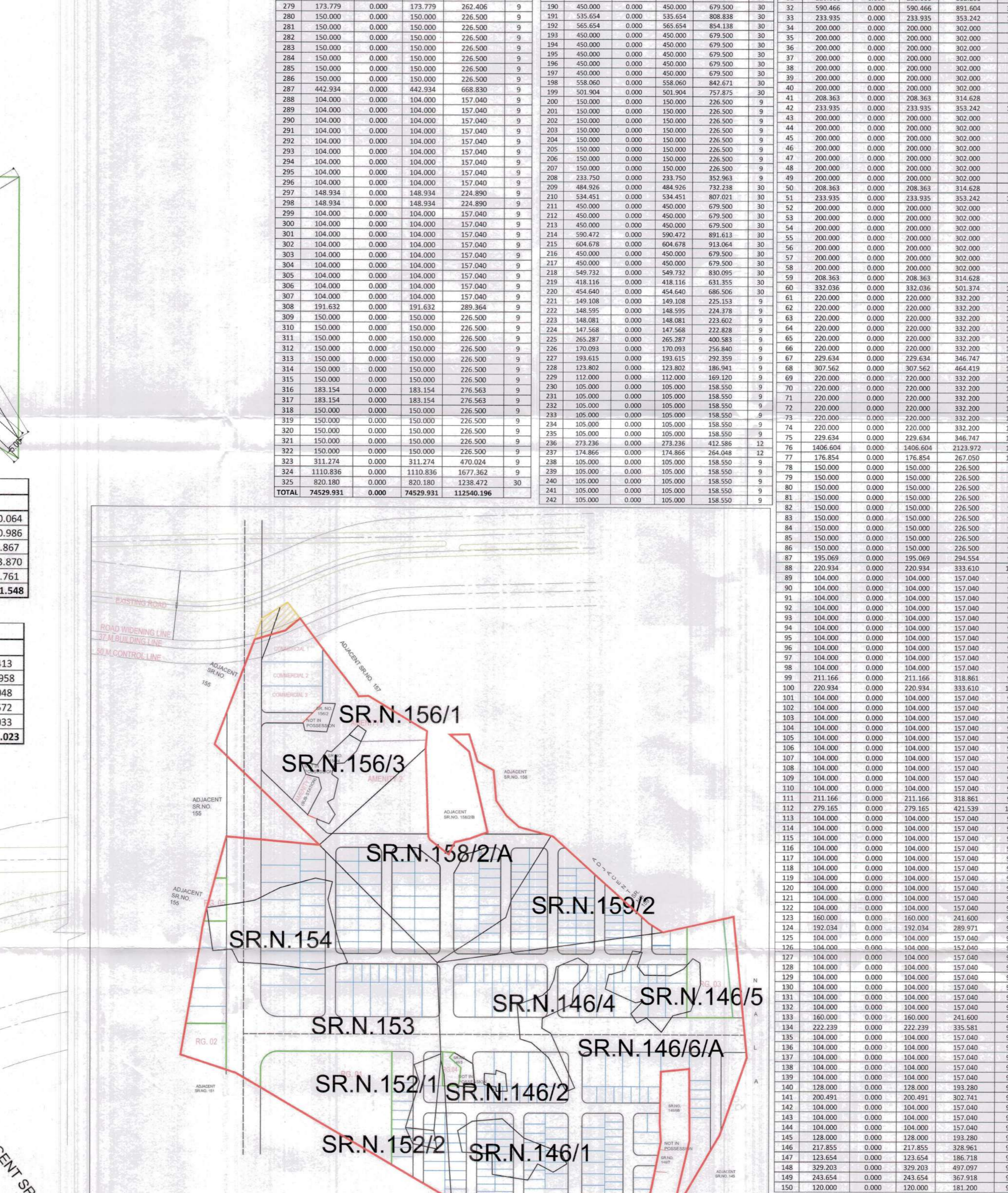


AREA UNDER PLOT AS PER R.G. 04	
1	0.5 x 20.926 x 5.727 = 60.126
2	0.5 x 20.926 x 5.727 = 31.287
TOTAL	91.413

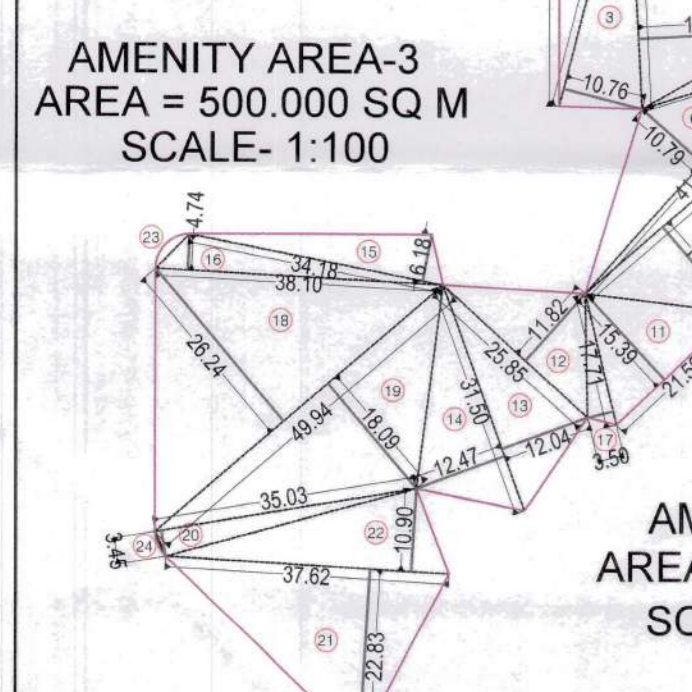
AREA UNDER PLOT AS PER R.G. 05	
1	0.5 x 20.926 x 5.727 = 60.126
2	0.5 x 20.926 x 5.727 = 31.287
3	0.5 x 20.926 x 5.727 = 31.287
4	0.5 x 20.926 x 5.727 = 31.287
5	0.5 x 20.926 x 5.727 = 31.287
TOTAL	371.023



AREA UNDER PLOT AS PER R.G. 05	
1	0.5 x 38.813 x 9.827 = 1,907.000
2	0.5 x 38.813 x 9.827 = 1,815.225
TOTAL	572.225

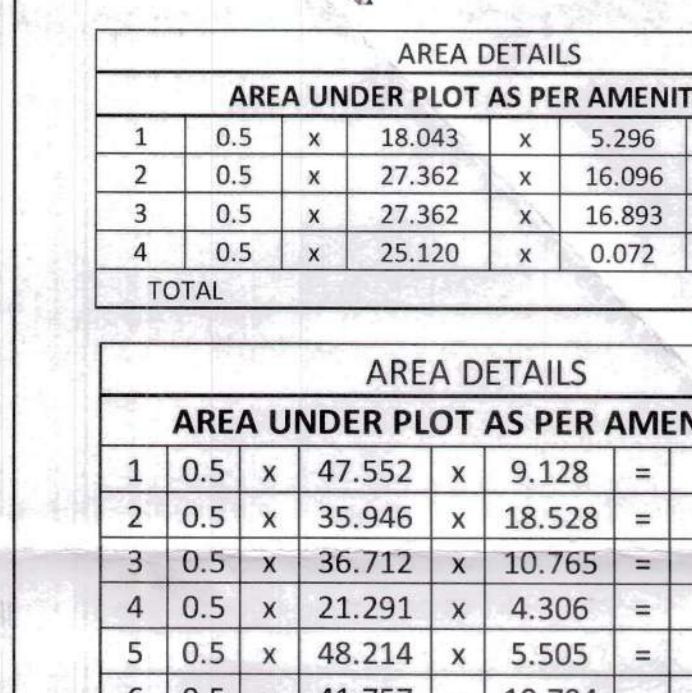


SCALE- 1:250



AREA UNDER PLOT AS PER AMENITY 03	
1	0.5 x 18.043 x 5.296 = 47.778
2	0.5 x 27.362 x 16.096 = 220.209
3	0.5 x 27.362 x 16.096 = 220.209
4	0.5 x 27.362 x 16.096 = 220.209
TOTAL	500.000

AREA UNDER PLOT AS PER AMENITY 01	
1	0.5 x 47.552 x 9.128 = 217.017
2	0.5 x 35.946 x 18.528 = 333.001
3	0.5 x 36.712 x 10.765 = 197.600
4	0.5 x 21.291 x 4.306 = 45.842
5	0.5 x 48.214 x 5.505 = 132.715
6	0.5 x 41.757 x 10.794 = 223.373
7	0.5 x 48.214 x 14.773 = 356.128
8	0.5 x 67.756 x 32.943 = 1,116.028
9	0.5 x 67.756 x 7.834 = 265.388
10	0.5 x 67.195 x 5.166 = 173.573
11	0.5 x 21.594 x 15.390 = 166.165
12	0.5 x 25.853 x 11.822 = 152.809
13	0.5 x 31.500 x 12.044 = 189.698
14	0.5 x 31.500 x 12.472 = 196.432
15	0.5 x 34.181 x 6.175 = 105.538
16	0.5 x 38.097 x 4.740 = 90.292
17	0.5 x 17.706 x 3.502 = 31.004
18	0.5 x 49.941 x 26.239 = 655.209
19	0.5 x 49.941 x 18.092 = 451.768
20	0.5 x 35.028 x 3.446 = 60.349
21	0.5 x 37.616 x 22.830 = 429.349
22	0.5 x 37.616 x 10.900 = 205.009
23	AREA AS PER POLYLINE = 5.779
24	AREA AS PER POLYLINE = 0.871
TOTAL	5,802.980



AREA UNDER PLOT AS PER AMENITY 01	
1	0.5 x 47.552 x 9.128 = 217.017
2	0.5 x 35.946 x 18.528 = 333.001
3	0.5 x 36.712 x 10.765 = 197.600
4	0.5 x 21.291