

CONTENTS OF THE SHEET

GROUND FLOOR PLAN, COMPOUND WALL

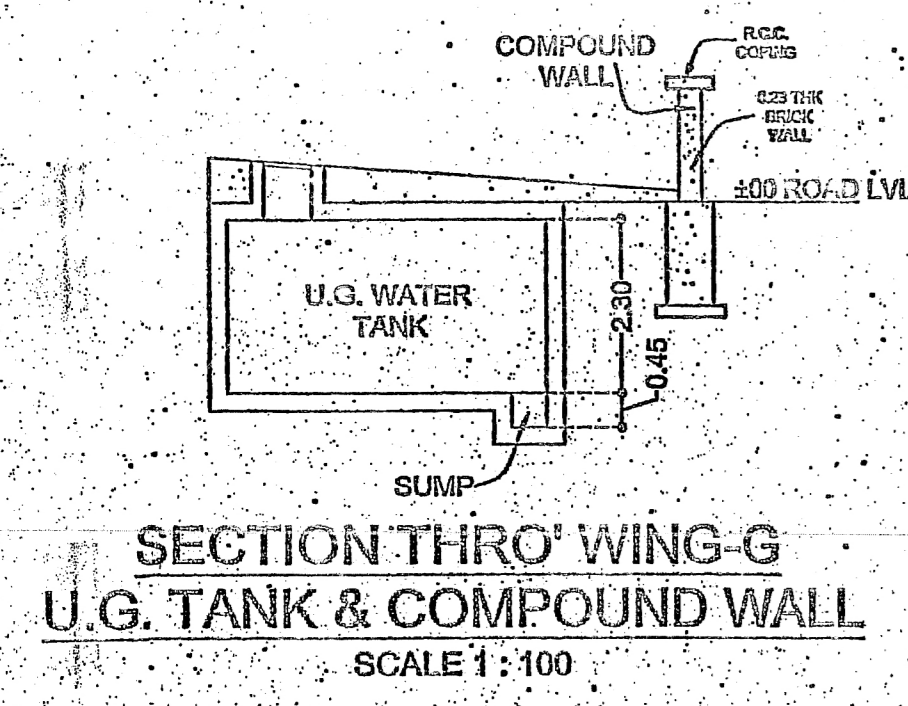
STAMP OF DATE OF RECEIPT OF PLANS	STAMP OF APPROVAL OF PLANS
REVISION	DESCRIPTION
NORTH LINE	DESCRIPTION OF PROPOSAL AND PROPERTY

PROPOSED AMENDED PLAN OF SERVICE INDUSTRIAL BUILDING ON PLOT BEARING C.T.S. No. 624, 629, 630, 631, 632, 633 OF VILLAGE OSHTHARA, LINK ROAD, ANDHERI (WEST) MUMBAI

NAME & SIGN. OF THE OWNER
MRS. SANJEETA RAMCHAND

GROUND FLOOR PLAN
SCALE 1:200

WING - G GROUND FLOOR PLAN
SCALE 1:200



DR. NO.	DWG. NO.	DATE	SCALE	DRAWN BY	CHECKED BY
1190		02-09-2013	AS SHOWN		

SIGN. NAME & ADDRESS OF LICENSED ARCHITECT

HINGOO

RASIK P. HINGOO ASSOCIATES
ARCHITECTURE-INTERIOR DESIGN-LANDSCAPE DESIGN