

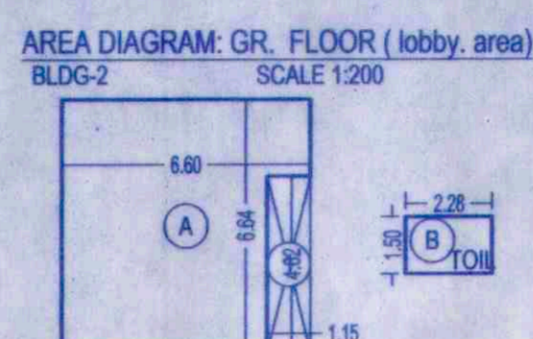
BUILT UP AREA CALCULATION

TYPICAL FLOOR	AREA	NO.	TOTAL
A	57.40 X 21.11 X 1NO	=	1211.71 SQ.MT.
TOTAL ADDITION		=	1211.71 SQ.MT.

DEDUCTIONS

1	0.80 X 4.00 X 1NO	=	2.40 SQ.MT.
2	16.55 X 0.45 X 1NO	=	7.45 SQ.MT.
3	0.30 X 0.92 X 12 NOS	=	3.31 SQ.MT.
4	5.80 X 1.47 X 2 NOS	=	17.05 SQ.MT.
5	0.82 X 6.37 X 1NO	=	3.95 SQ.MT.
6	2.43 X 3.62 X 1NO	=	8.80 SQ.MT.
7	0.88 X 4.96 X 1NO	=	4.36 SQ.MT.
8	2.62 X 1.73 X 1NO	=	4.53 SQ.MT.
9	23.10 X 7.75 X 1NO	=	179.03 SQ.MT.
10	0.80 X 3.50 X 1NO	=	2.80 SQ.MT.
11	1.75 X 1.35 X 1NO	=	2.36 SQ.MT.
12	3.85 X 2.46 X 1NO	=	9.47 SQ.MT.
13	0.88 X 3.11 X 1NO	=	2.74 SQ.MT.
14	3.17 X 1.49 X 1NO	=	4.72 SQ.MT.
15	3.09 X 1.31 X 1NO	=	4.05 SQ.MT.
16	1.00 X 2.63 X 1NO	=	2.63 SQ.MT.
17	1.62 X 2.17 X 1NO	=	3.52 SQ.MT.
18	2.43 X 0.80 X 1NO	=	1.94 SQ.MT.
19	0.88 X 1.47 X 4 NOS	=	5.17 SQ.MT.
20	16.35 X 7.75 X 1NO	=	126.71 SQ.MT.
TOTAL DEDUCTION		=	501.28 SQ.MT.
TOTAL BUILT UP AREA		=	710.43 SQ.MT.

21	0.95 X 1.35 X 1NO	=	1.28 SQ.MT.
22	3.05 X 0.97 X 1NO	=	2.96 SQ.MT.
23	0.88 X 1.62 X 2 NOS	=	2.85 SQ.MT.
24	5.28 X 1.49 X 1NO	=	7.87 SQ.MT.
25	1.82 X 1.93 X 1NO	=	3.51 SQ.MT.
26	1.02 X 3.50 X 1NO	=	3.57 SQ.MT.
27	1.97 X 2.17 X 1NO	=	4.27 SQ.MT.
28	2.10 X 0.82 X 2 NOS	=	3.44 SQ.MT.
29	0.95 X 2.32 X 1NO	=	2.20 SQ.MT.
30	2.10 X 1.01 X 1NO	=	2.12 SQ.MT.
31	2.02 X 1.73 X 1NO	=	3.49 SQ.MT.
32	4.53 X 2.70 X 1NO	=	12.23 SQ.MT.
33	2.40 X 0.85 X 1NO	=	2.04 SQ.MT.
34	2.13 X 0.82 X 1NO	=	1.75 SQ.MT.
35	1.80 X 1.67 X 1NO	=	3.01 SQ.MT.
36	0.95 X 2.17 X 1NO	=	2.06 SQ.MT.
37	1.75 X 0.58 X 1NO	=	1.02 SQ.MT.
38	2.00 X 2.68 X 2 NOS	=	10.72 SQ.MT.
39	2.28 X 2.00 X 2 NOS	=	9.12 SQ.MT.
40	1.86 X 3.00 X 1NO	=	5.58 SQ.MT.
41	6.10 X 0.82 X 1NO	=	5.00 SQ.MT.
42	1.57 X 1.35 X 1NO	=	2.12 SQ.MT.
43	0.88 X 1.47 X 1NO	=	1.29 SQ.MT.
44	5.80 X 0.93 X 2 NOS	=	10.79 SQ.MT.
TOTAL DEDUCTION		=	501.28 SQ.MT.
TOTAL BUILT UP AREA		=	710.43 SQ.MT.



BUILT UP AREA CALCULATION

GROUND FLOOR	AREA	NO.	TOTAL
A	6.60 X 6.65 X 1NO	=	43.89 SQ.MT.
B	2.28 X 1.50 X 1NO	=	3.42 SQ.MT.
TOTAL ADDITION		=	47.31 SQ.MT.

DEDUCTIONS

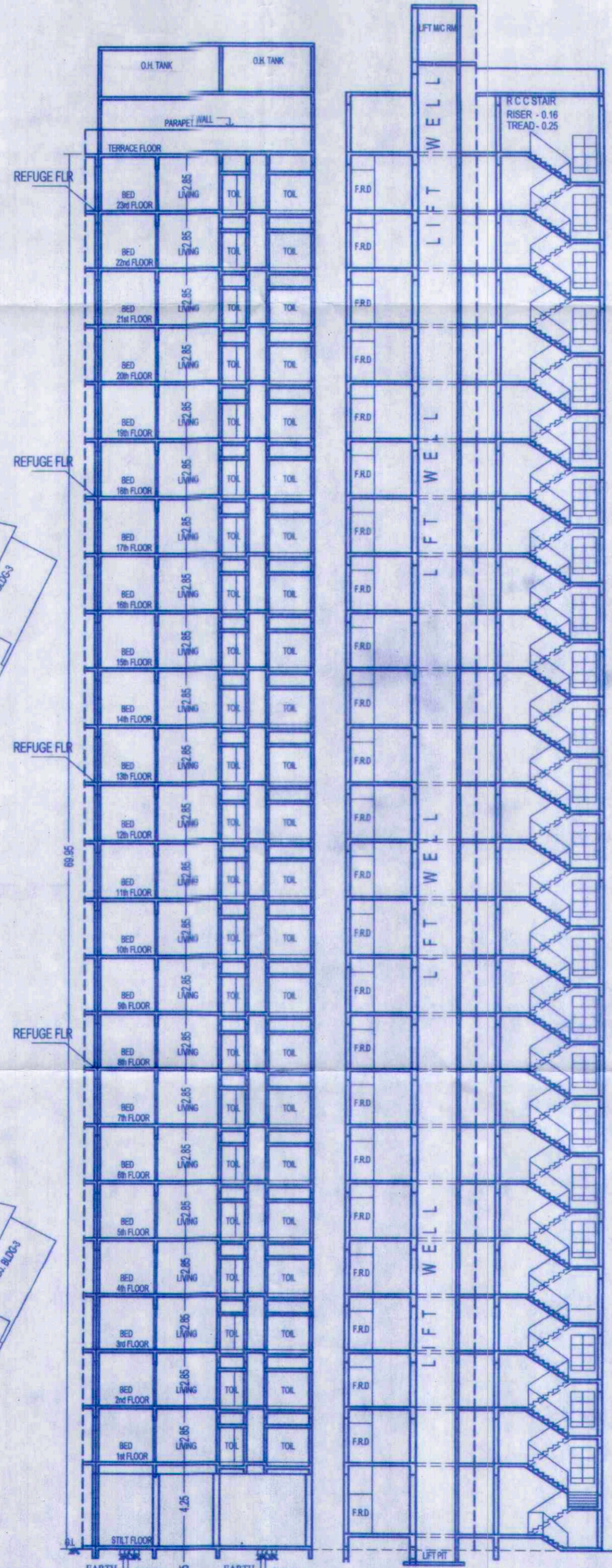
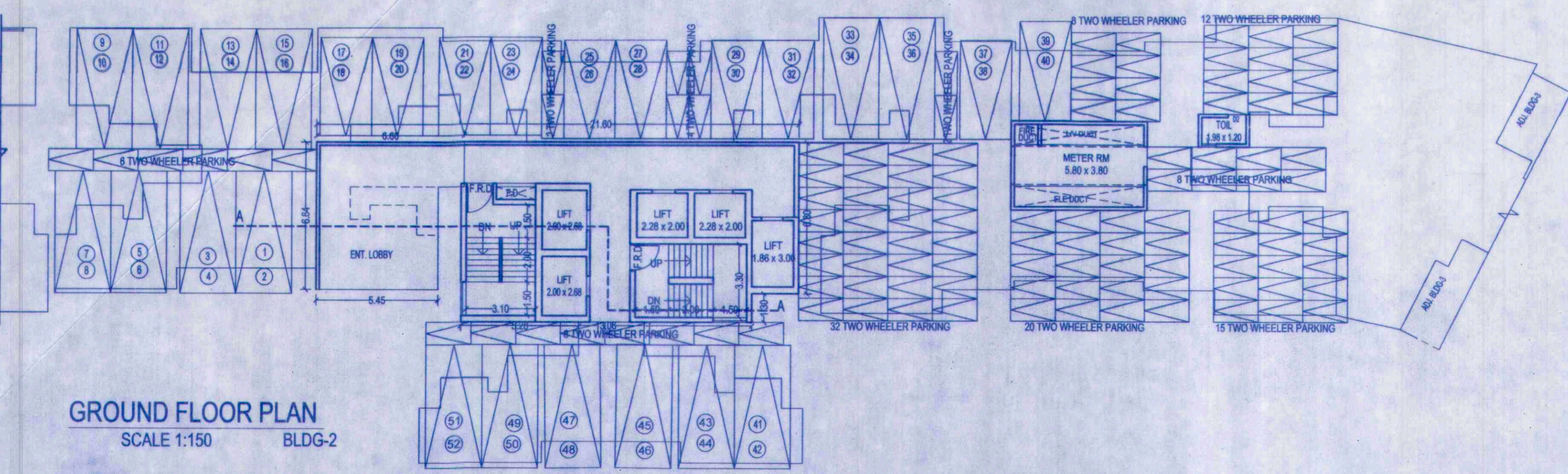
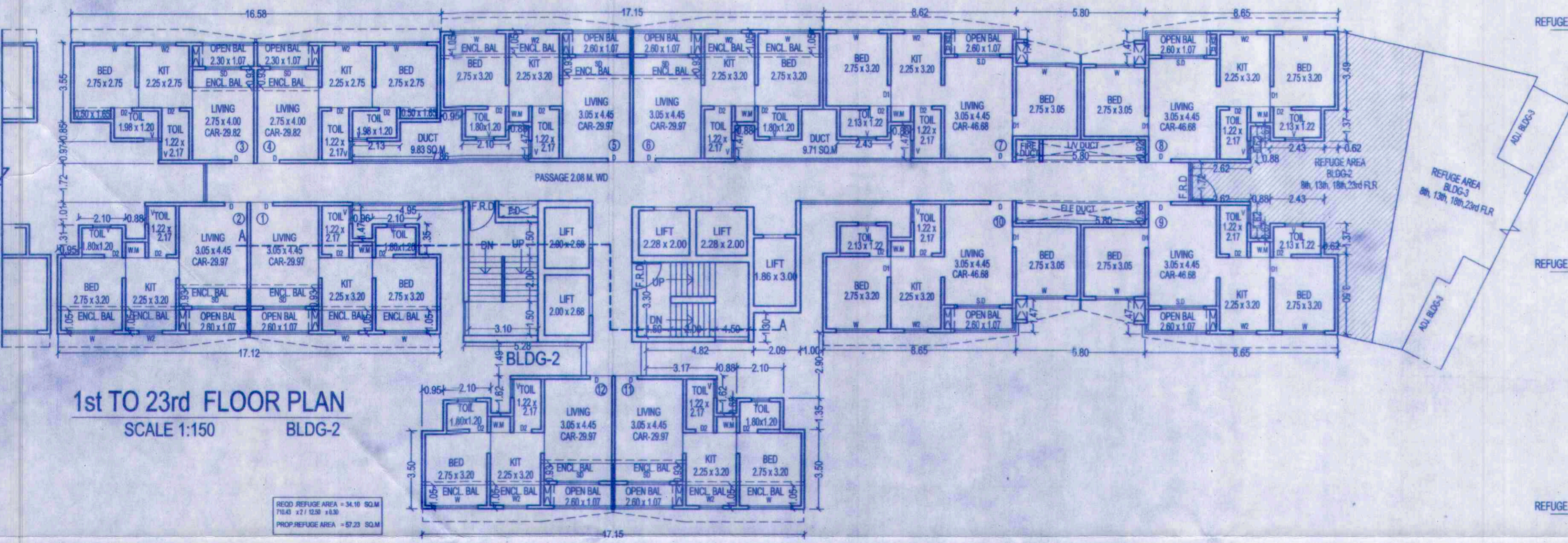
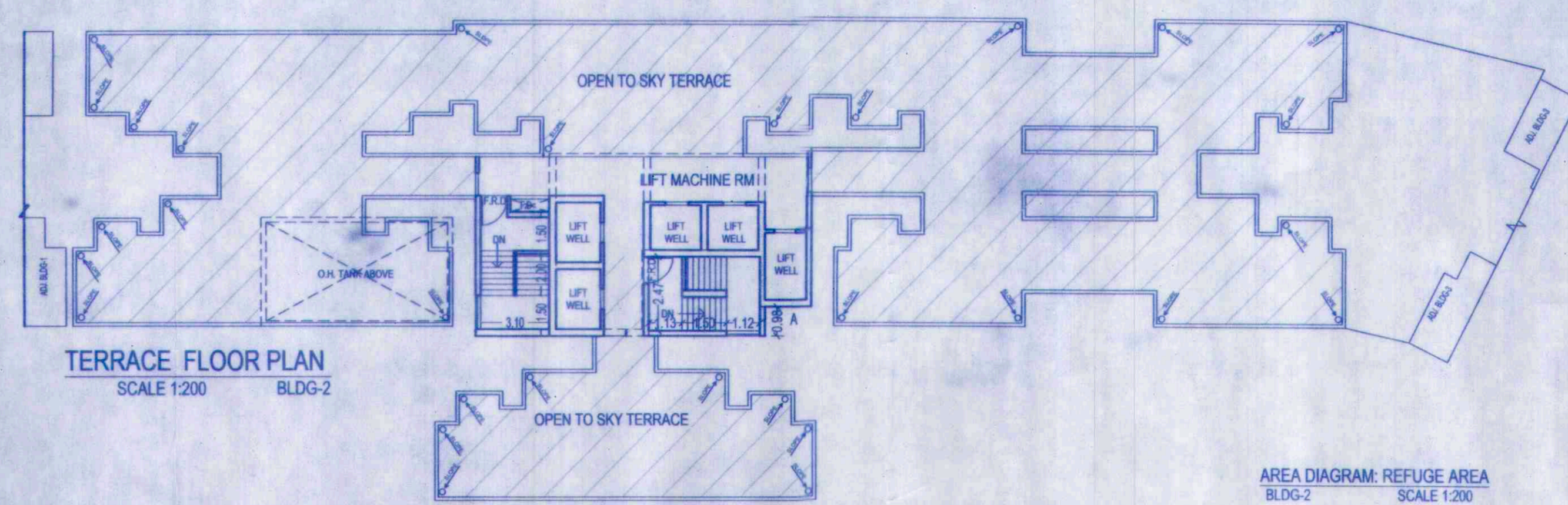
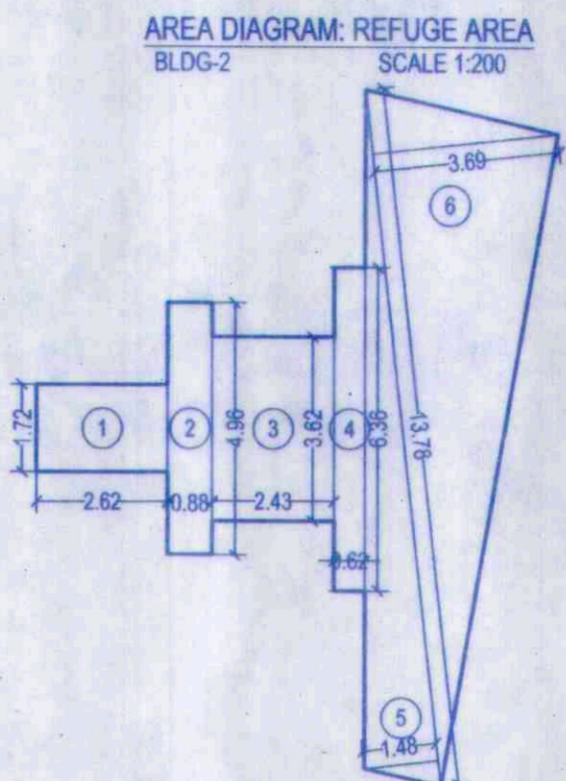
1	1.15 X 4.62 X 1NO	=	5.31 SQ.MT.
TOTAL DEDUCTION		=	5.31 SQ.MT.
TOTAL BUILT UP AREA		=	42.00 SQ.MT.

TENEMENT STATEMENT

FLOOR	NUMBER OF TENEMENT				TOTAL
	BELOW 30 SQ.MT.	BET 30-40 SQ.MT.	BET 40-80 SQ.MT.	BET 80-150 SQ.MT. & ABOVE	
1ST FLOOR	08	-	04	-	12
2ND FLOOR	08	-	04	-	12
3RD FLOOR	08	-	04	-	12
4TH FLOOR	08	-	04	-	12
5TH FLOOR	08	-	04	-	12
6TH FLOOR	08	-	04	-	12
7TH FLOOR	08	-	04	-	12
8TH FLOOR	08	-	04	-	12
9TH FLOOR	08	-	04	-	12
10TH FLOOR	08	-	04	-	12
11TH FLOOR	08	-	04	-	12
12TH FLOOR	08	-	04	-	12
13TH FLOOR	08	-	04	-	12
14TH FLOOR	08	-	04	-	12
15TH FLOOR	08	-	04	-	12
16TH FLOOR	08	-	04	-	12
17TH FLOOR	08	-	04	-	12
18TH FLOOR	08	-	04	-	12
19TH FLOOR	08	-	04	-	12
20TH FLOOR	08	-	04	-	12
21ST FLOOR	08	-	04	-	12
22ND FLOOR	08	-	04	-	12
23RD FLOOR	08	-	04	-	12
TOTAL NO.	184	18	92	-	276

REFUGE AREA DIAGRAM

1	2.62 X 1.72 X 1NO	=	4.51 SQ.MT.
2	0.88 X 4.96 X 1NO	=	4.36 SQ.MT.
3	2.43 X 3.62 X 1NO	=	8.80 SQ.MT.
4	0.82 X 6.36 X 1NO	=	3.94 SQ.MT.
5	1/2 X 13.78 X 1.48 X 1NO	=	10.20 SQ.MT.
6	1/2 X 13.78 X 3.69 X 1NO	=	25.42 SQ.MT.
TOTAL ADDITION		=	57.23 SQ.MT.



BLDG-2

FLOOR	BUILT-UP AREA IN SQ.MT.
GR. FLR.	42.00
1st FLR.	710.43
2nd FLR.	710.43
3rd FLR.	710.43
4th FLR.	710.43
5th FLR.	710.43
6th FLR.	710.43
7th FLR.	710.43
8th FLR.	710.43
9th FLR.	710.43
10th FLR.	710.43
11th FLR.	710.43
12th FLR.	710.43
13th FLR.	710.43
14th FLR.	710.43
15th FLR.	710.43
16th FLR.	710.43
17th FLR.	710.43
18th FLR.	710.43
19th FLR.	710.43
20th FLR.	710.43
21st FLR.	710.43
22nd FLR.	710.43
23rd FLR.	710.43
TOTAL AREA	16381.89

PARKING AREA STATEMENT BLDG-2

RESIAREA	REQUIRED NOS OF PARKING		PROPOSED NOS OF PARKING	
	CAR, PARKING	TWO WHEELERS	CAR, PARKING	TWO WHEELERS
For every two tenements with each tenement having carpet area less than 30 Sq.m.	0 NOS	2 NOS	184.00 NOS	0.00
For every two tenements with each tenement having carpet area less than 80 Sq.m. but more than 30 sq.m.	1 NOS	2 NOS	92.00 NOS	46.00 NOS
For every tenement having carpet area equal to or above 80 sq.m. but less than 150 sq.m.	1 NOS	1 NOS	NIL	NIL
TOTAL			46.00 NOS	276.00 NOS
visitor parking (5%)			2.30 NOS	13.80 NOS
For every 100 sq.m. carpet area or fraction thereof	2 NOS	6 NOS	NIL	NIL
For every 200 sq.m. carpet area or fraction thereof	3 NOS	11 NOS	NIL	NIL
TOTAL			276.00 NOS	48.30 NOS
TOTAL PARKING REQUIRED		80% OF	38.64 NOS	289.80 NOS

2 APPROVAL

DESCRIPTION OF PROPOSAL & PROPERTY

PROPOSED BUILDING ON PLOT BEARING S.NO. 124/1 33/2, 33/1, 33/2, MOUJE-USARGHAR, TAL-KALYAN, DIST.-THANE, WARD

M/S LAUKIK LIFESTYLES & OTHERS

DRAWING SHEET NO.: 3/5

STAMP OF APPROVAL OF PLAN BLDG-2

OFFICE OF THE KALYAN DOMBIVI MUNICIPAL CORPORATION, KALYAN.

Building Permit No.: **KDMC/TPD/BP/27Village/2023-24/27/380**

Date: **05/03/2024**

SANCTIONED

STRUCTURAL CERTIFICATE

The plans prepared by me are in accordance with the norms as specified by Indian standard institute & I will be held responsible for any harm caused in earthquake due to the standards.

OWNER'S DECLARATION -

I/We undersigned hereby confirm that I/We would abide by plans approved by Authority / Collector. I/We would execute the structure as per approved plans. Also I/We would execute the work under supervision of proper technical person so as to ensure the quality and safety at the work site.

LAUKIK LIFE STYLES

PARTNER

MR. SANJAY R. SINGH
M/S. LAUKIK LIFESTYLES
(P.A. HOLDER)
ADDRESS: SHOP S. & 7, 8, PANDAVATI BLDG, BALAJI ENCLAVE, TRAKRULI EAST, THANE-401 201

JOB No. DRG No. SCALE DRAWN BY CHECKED BY DATE

SN- 1 AS STATED KARTHIK

NAME, ADDRESS & SIGNATURE OF ARCHITECT

SHAPATYA NIRMAAN
Architects & Interior Designers

ARCHITECT: SHIRISH G. NACHANE
CA/99/24527

SHAPATYA NIRMAAN
CIVIL & ARCHITECTURAL SERVICES

1ST FLOOR GOKUL CHS, NEAR ADITYA MANGAL KARYALAYA, AGARKAR ROAD, DOMBIVI (E).
2ND FLOOR, JAGANNATHS COMMERCE PLAZA, NEAR GOOREJ SHOWROOM, MANPADA ROAD, DOMBIVI (E).