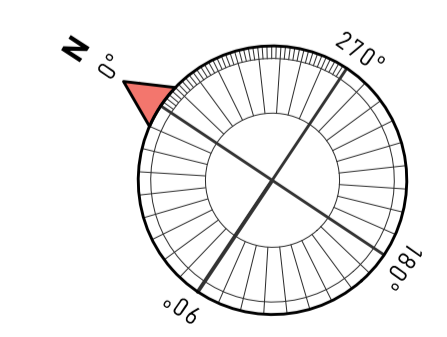
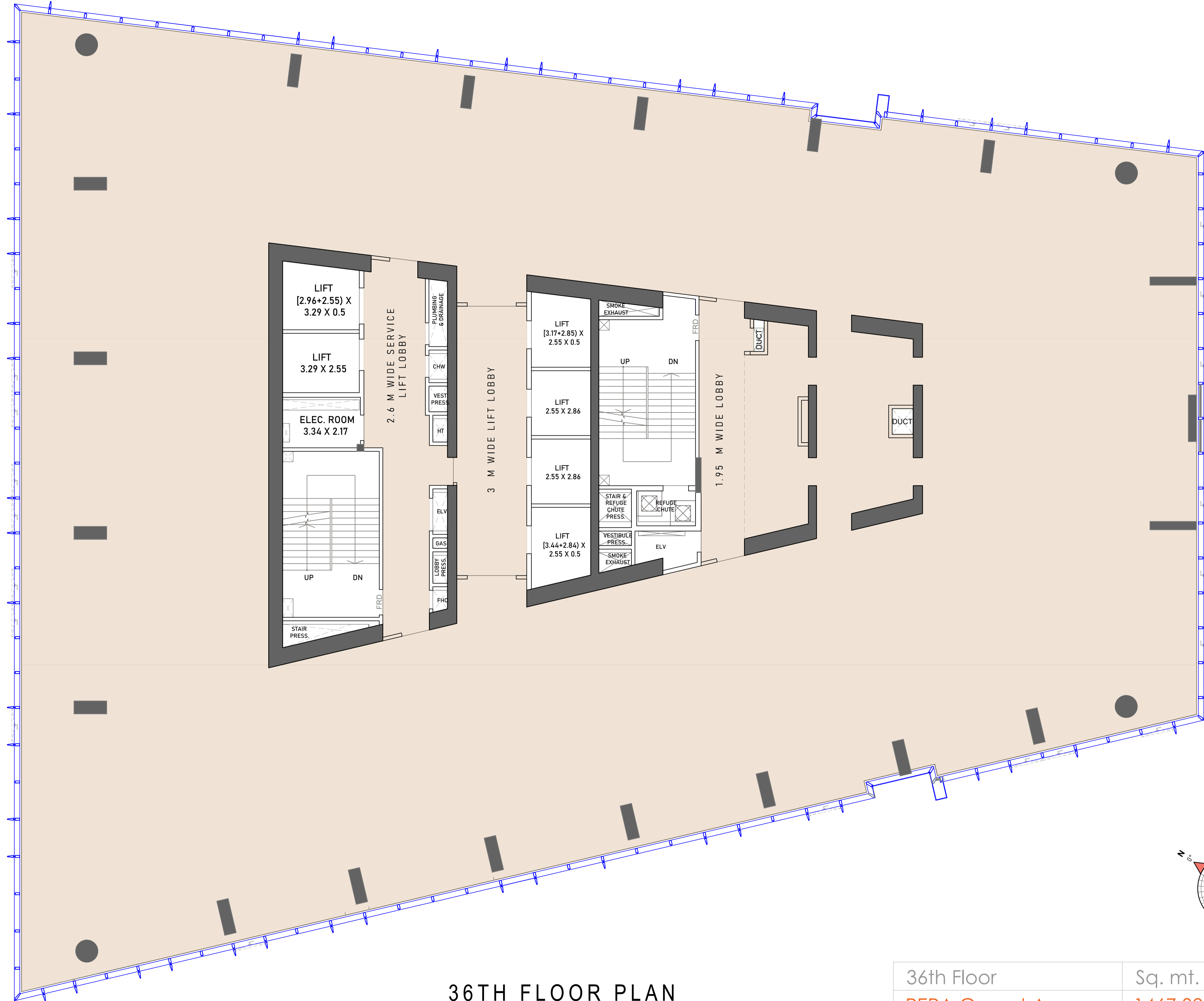


DR. ANNIE BESANT ROAD



36TH FLOOR PLAN

36th Floor	Sq. mt.	Sq. ft.
RERA Carpet Area	1467.39	15795