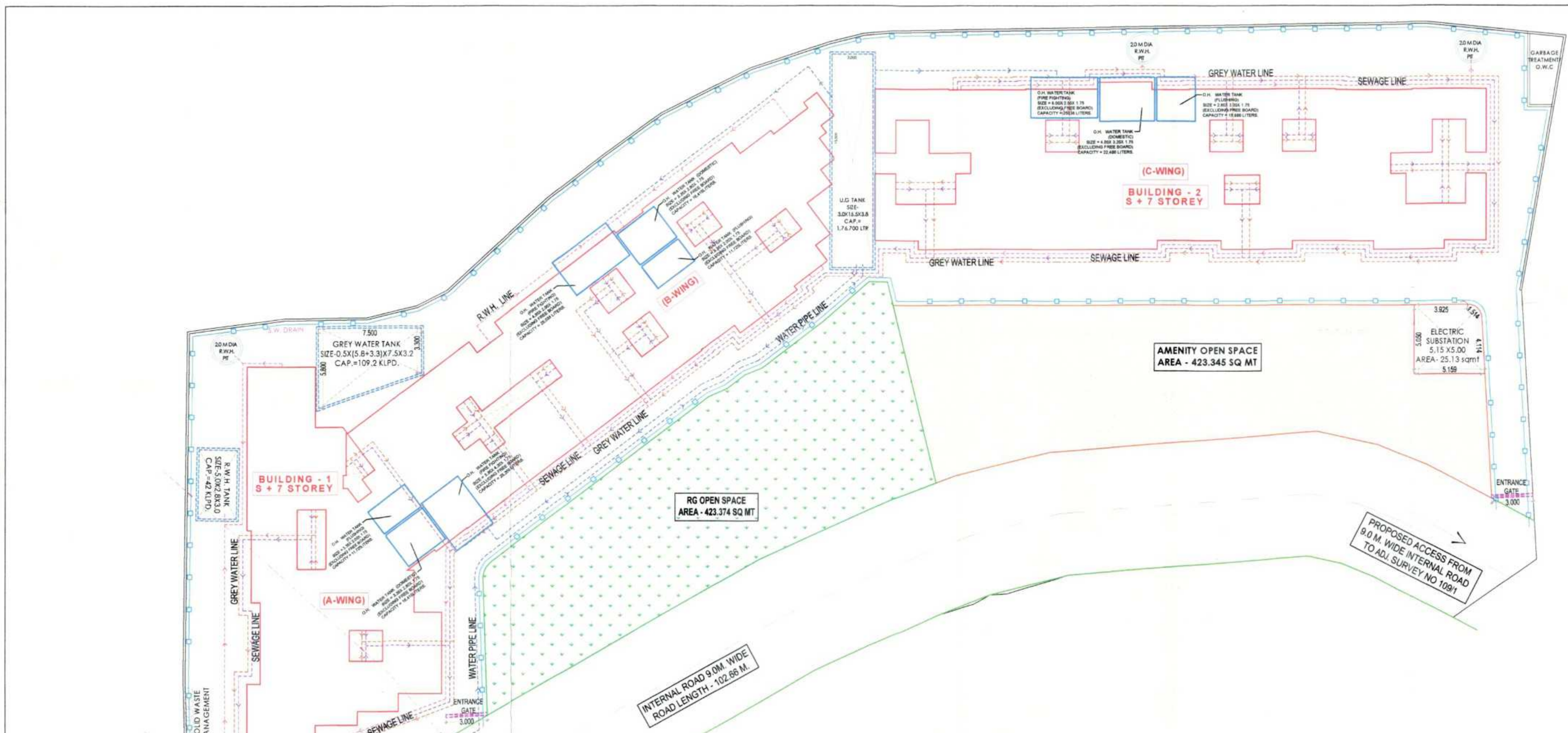


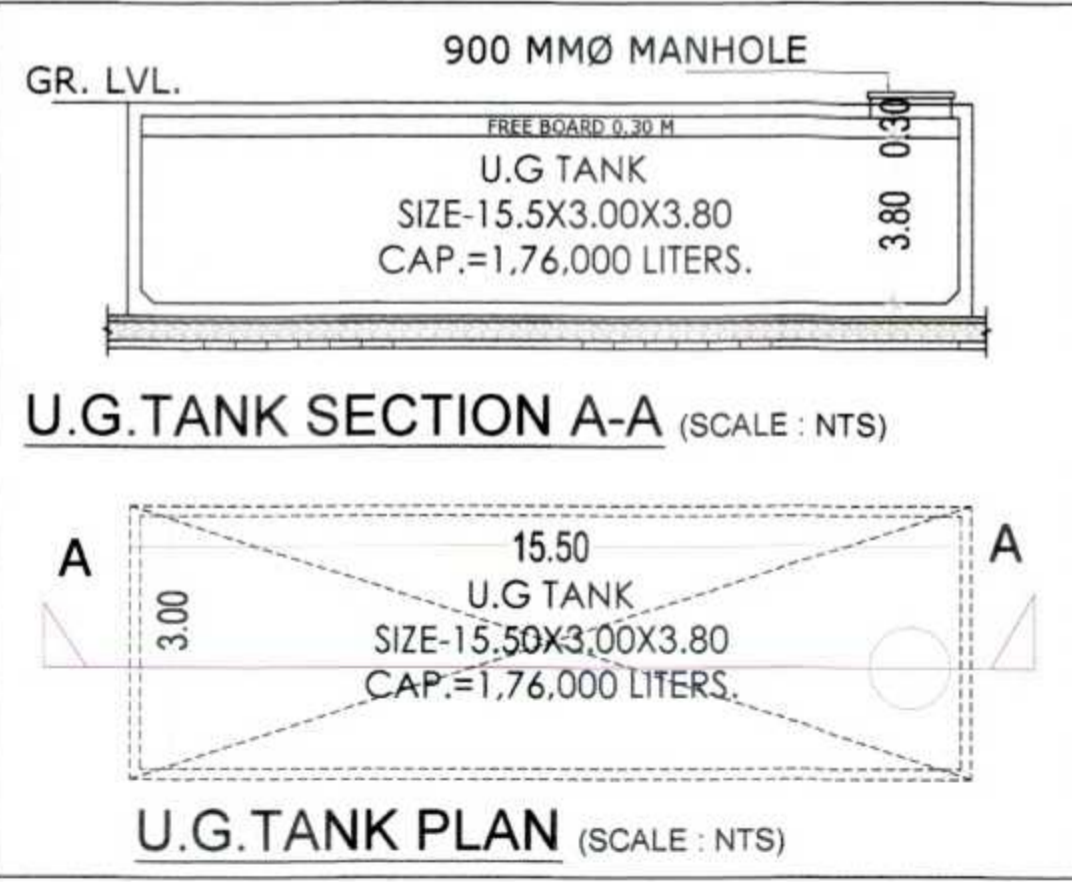
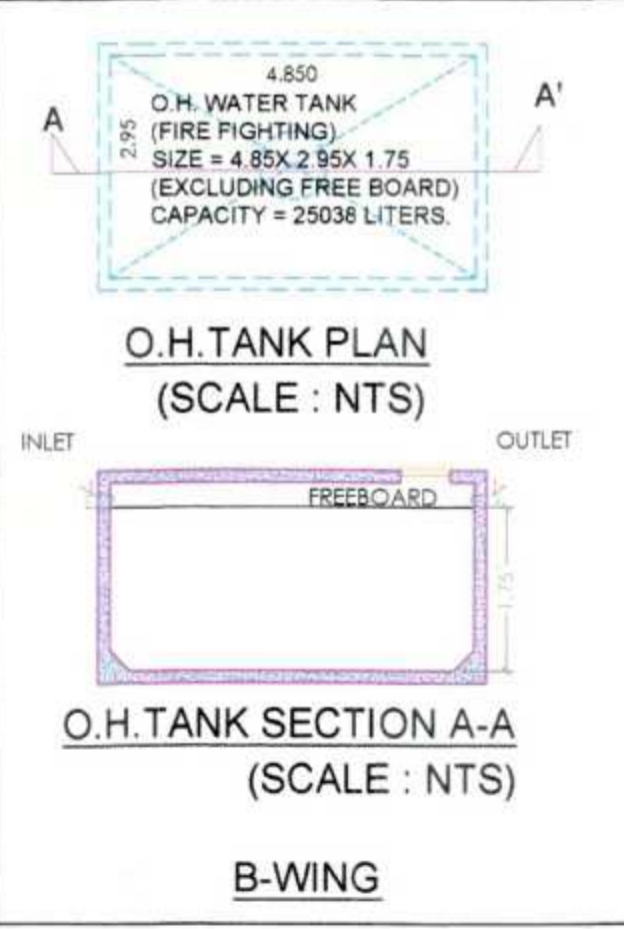
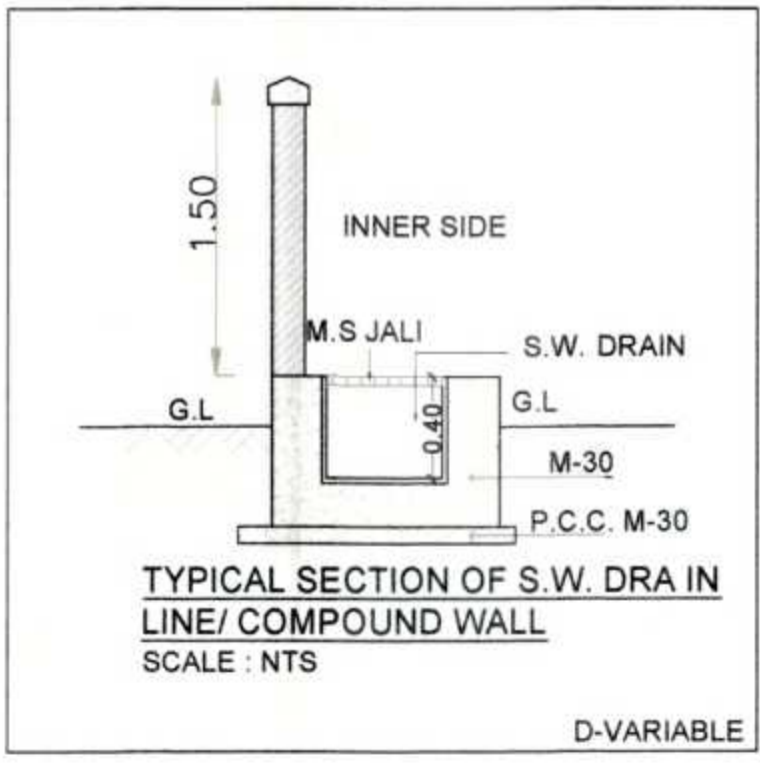
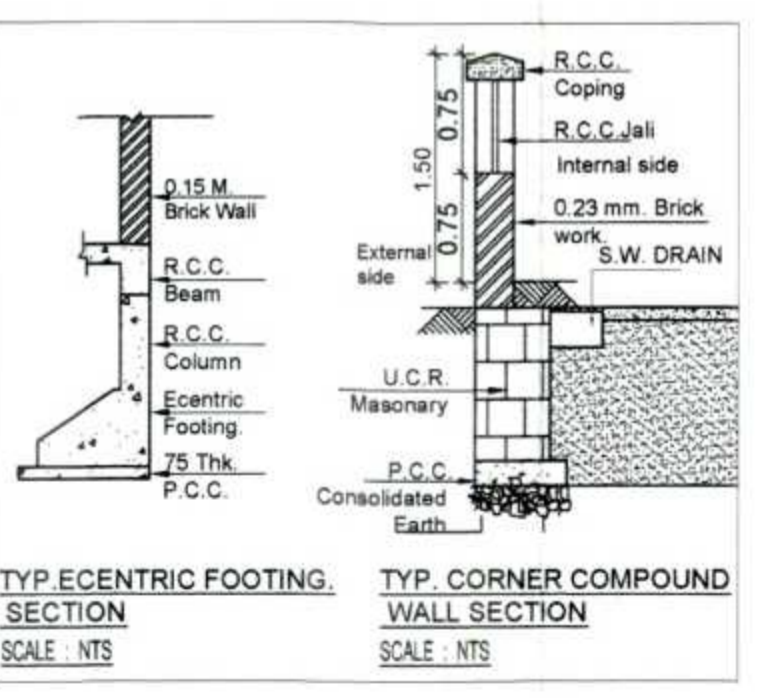
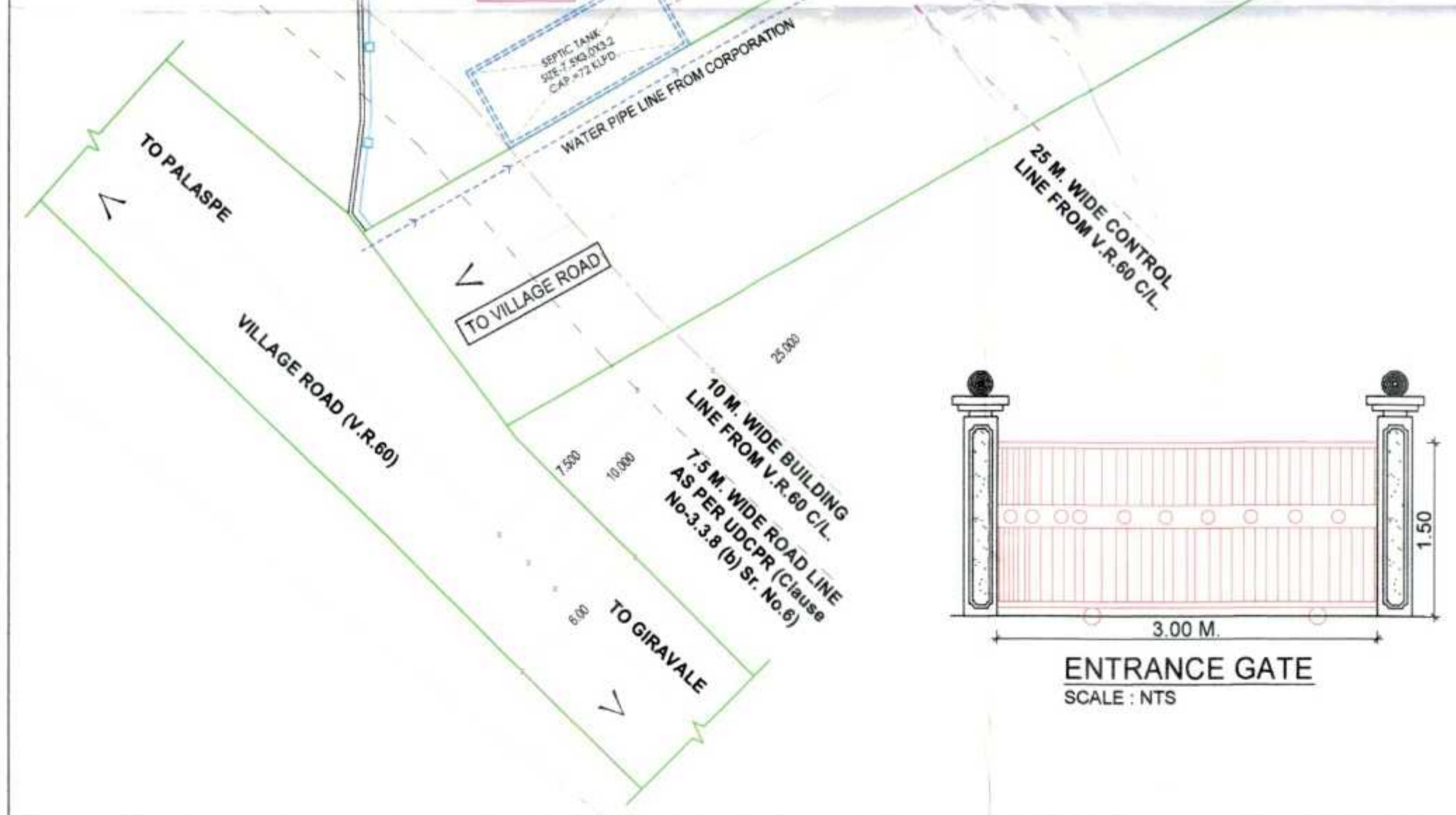
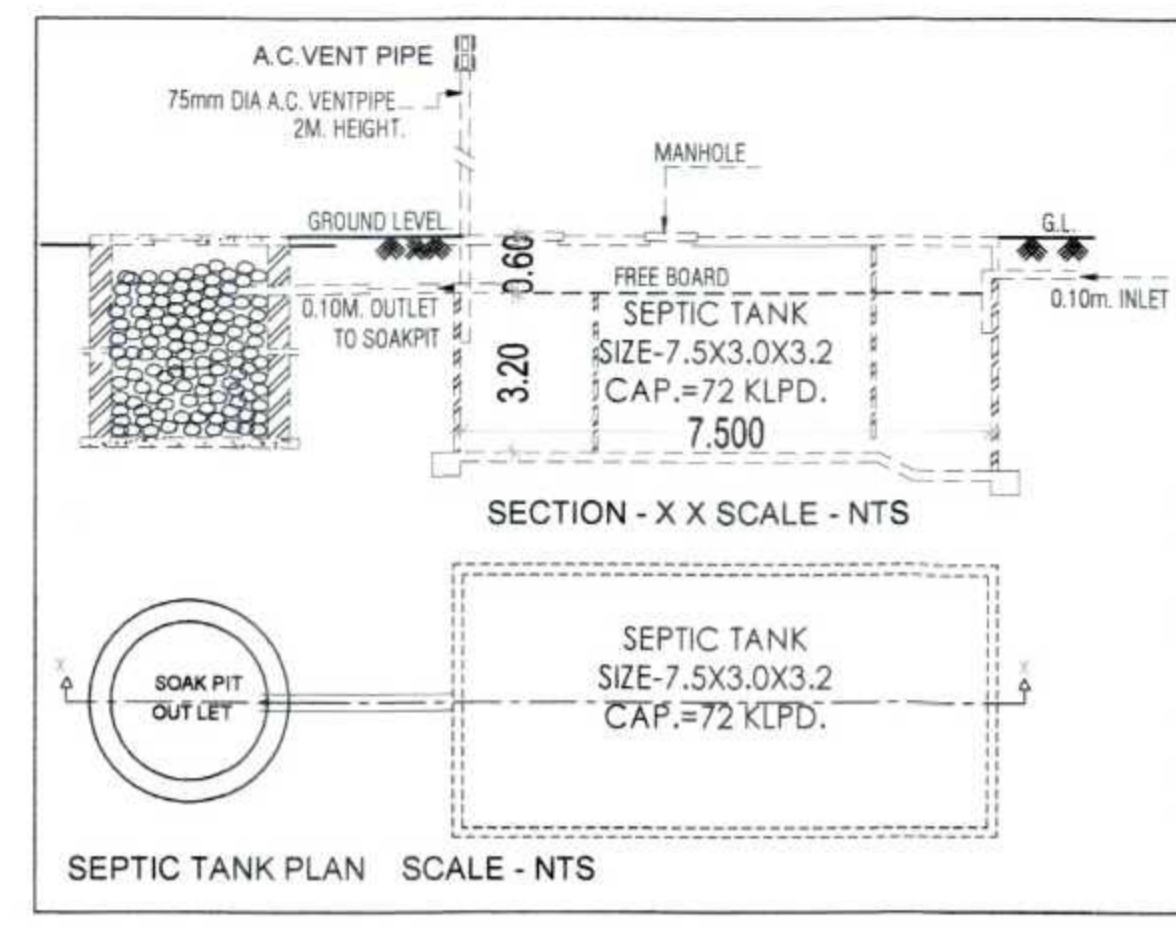
SPECIAL PLANNING AUTHORITY,
MAHARASHTRA STATE ROAD DEVELOPMENT CORPORATION LTD.
DEVELOPMENT PERMISSION APPROVED under Section 45 of Maharashtra Regional & Town Planning Act, 1966 subject to conditions mentioned in this office's Letter No. MSRDC/SPA/Enrollment/DP-355/1 cc/2023/1267 Dated 21/07/2023
Associate Planner, SPA, MSRDC

LEGEND

01. PLOT BOUNDARY	---
02. INTERNAL ROAD CENTER LINE	---
03. VILLAGE ROAD LINE	---
04. BUILDING LINE	---
05. CONTROL LINE	---
06. WATER SUPPLY WORK	---
07. R.W.H. LINE	---
08. PROPOSED WORK	---
09. SEWAGE LINE	---
10. GREY WATER LINE	---
11. S.W. DRAIN	---
12. BIG CAR PARKING	---
13. SMALL CAR PARKING	---
14. SCOOTER PARKING	---
15. TREE	---



SERVICE PLAN SCALE-1:200



SEPTIC TANK REQUIREMENT

BLDG NO.	FLATS NOS	BASED ON THE POPULATION PER UNIT	TOTAL POPULATION (BASED ON THE REG. NO 12.5) (AxB)		FLUSHING COLD WATER REQUIREMENT (CxD)		ADDITIONAL TOILET NOS	FLUSHING FOR ADDITIONAL TOILET (F x G)		% FLOW TO SEWER FLUSHING (100% OF I)	TOTAL FLOW TO SEPTIC TANK (J)	PROPOSED SEPTIC TANK SIZE (IN MTRS)	TOTAL PROPOSED SEPTIC TANK CAPACITY (IN LTRS)
			(C)	(D)	(E)	(F)		(G)	(H)				
1	91	5	455	54	24570	91	180	16380	40950	40950	28870	3.00 X 3.20 EXCLUDING FREE BOARD	72,000
2	63	5	315	54	17010	66	180	11880	28870	28870	28870	EXCLUDING FREE BOARD	
TOTAL	154	5	770	108	41580	157	368	28260	69840	69840	69840		

NOTE:
1) For residential unit 5 Person per tenement
2) Water Requirement per capita = 135 (Domestic) + 54 (Flushing) = 189 Litre per capita
3) Water Requirement for additional toilet = 180 Litre per tenement
4) Size of Tank is excluding the free board

UNDER GROUND WATER TANK CALCULATION

BLDG NO.	TOTAL NO. OF FLATS	ADD. TOILET 180 LITER	SANITARY BLOCK		WATER REQUIREMENTS (IN LITER)					UGT PROVIDED				
			NO. OF SANITARY BLOCK	SANITARY BLOCK REQ. 270 (LITR)	TOTAL POPULATION (DOMESTIC) [7]X[135]	FOR ADD. TOILET (FLUSHING) (3 X 180)	FOR POPULATION (FLUSHING) [7]X[54]	TOTAL FLUSHING [7]X[110]	TOTAL [8]X[112]	TANK NUMBER	SIZE	CAPACITY (LITR)		
1	91	5	3	270	810	455	61425	16380	24570	40950	102375			
2	63	5	0	270	0	315	42525	11880	17010	28890	71415	TANK NO-1	SIZE = 3.00 X 15.50 X 3.80	1,76,700
TOTAL	154	157	3	540	810	770	103950	28260	41580	69840	173790			

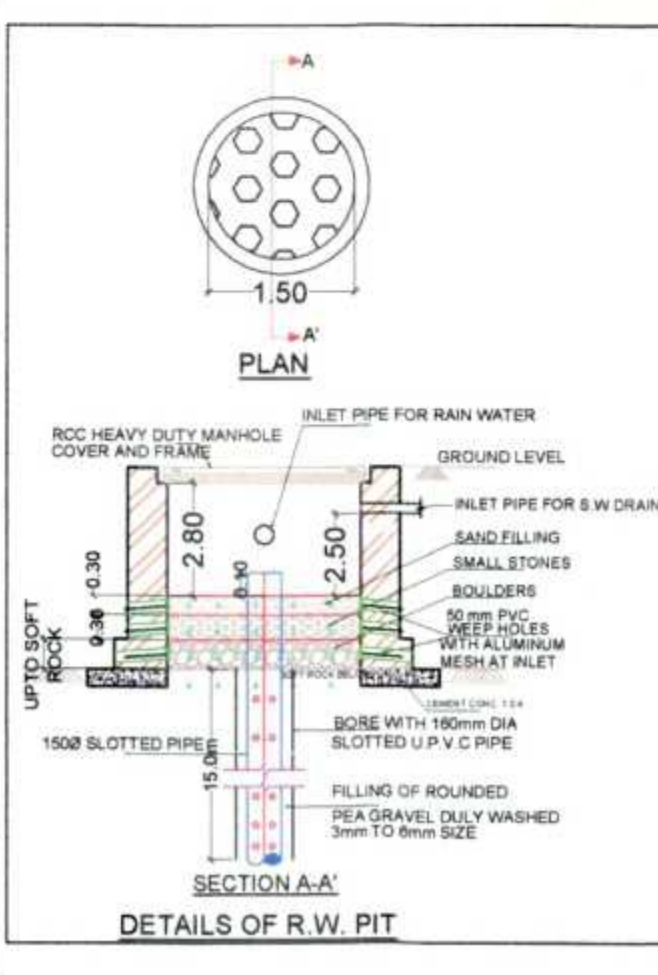
NOTE:
1) For residential unit 5 Person per tenement
2) Water Requirement per capita = 135 (Domestic) + 54 (Flushing) = 189 Litre per capita
3) Water Requirement for additional toilet = 180 Litre per tenement
4) Size of Tank is excluding the free board

GREY TANK REQUIREMENT

BLDG NO.	FLATS NOS	BASED ON THE POPULATION PER UNIT	TOTAL POPULATION (BASED ON THE REG. NO 12.5) (AxB)	DOMESTIC COLD WATER REQUIREMENT (CxD)		% FLOW TO SEWER (85% OF E) LPD	TOTAL FLOW TO GREY TANK LPD	PROPOSED GREY TANK SIZE (IN MTRS)	PROPOSED GREY TANK CAPACITY (IN LTRS)
				LPD	LPD				
1	91	5	455	135	61425	52211	52211	LPD	LPD
2	63	5	315	135	42525	36146	36146	SIZE - 0.5 X (5.8+3.3) X 7.5 X 3.2 EXCLUDING FREE BOARD	1,09,200
TOTAL	154	5	770	270	103950	88358	88358		

OVER HEAD WATER TANK CALCULATION

BLDG. NO.	O.H. TANK DOMESTIC REQUIREMENT (50% OF U.G.)	PROPOSED DOMESTIC OVER HEAD WATER TANK			O.H. TANK FLUSHING REQUIREMENT (50% OF U.G.)	PROPOSED FLUSHING OVER HEAD WATER TANK			O.H. TANK FIRE REQUIREMENT	PROPOSED FIRE FIGHTING OVER HEAD WATER TANK		
		WING NO	TANK SIZE	CAP.		WING NO	TANK SIZE	CAP.		WING NO	TANK SIZE	CAP.
1	30713	WING A	3.35X 2.80 X 1.75	16415	20475	WING A	3.35X 2.00 X 1.75	11725	25000	WING A	3.35 X 4.30 X 1.75	25209
		WING B	3.35X 2.80 X 1.75	16415		WING B	3.35X 2.00 X 1.75	11725		WING B	4.85X 2.95 X 1.75	25036
2	21263	WING C	4.00 X 3.20 X 1.75	22400	14445	WING C	2.80 X 3.20 X 1.75	15680	25000	WING C	4.85X 2.95 X 1.75	25036
TOTAL REQUIRED	51975	TOTAL PROPOSED O.H. WATER TANK	55230	34920	TOTAL PROPOSED O.H. WATER TANK	39130	75000	TOTAL PROPOSED O.H. WATER TANK	75285			



SHEET 02 - SERVICES LAYOUT - CONTENT OF SHEET

- SERVICE LAYOUT PLAN
- U.G. TANK PLAN, SECTIONS & REQUIRED PROPOSED CAPACITY CALCULATION
- O.H. TANK PLAN, SECTIONS & REQUIRED PROPOSED CAPACITY CALCULATION
- SEPTIC TANK PLAN, SECTIONS & REQUIRED PROPOSED CAPACITY CALCULATION
- GREY WATER TANK REQUIRED PROPOSED CAPACITY CALCULATION
- R.W.H. TANK PLAN, SECTIONS
- COMPOUND WALL SECTION
- S.W. DRAIN / COMPOUND WALL SECTION
- ENTRANCE GATE DETAILS
- LEGEND - SITE PLAN ON COLOR PRINT
- CONTENT OF SHEET

NOTES:- 1) ALL EXTERNAL WALLS OF 0.15 M. THICK & INTERNAL WALLS OF 0.10 & 0.15 M. THICK

DESCRIPTION OF PROPOSAL
PROPOSED RESIDENTIAL BUILDING PERMISSION ON LAND BEARING SURVEY NO. - 99/2 & 99/3, VILLAGE - GIRAVALE, TAL. - PANVEL, DIST. - RAIGAD.

NAME & SIGNATURE OF OWNER
For AIKYM BUILDTech LLP
DESIGNATED PARTNER
L/IN: AAW-7610
M/S AIKYM BUILDTech LLP, through partner
MR. LATESH BHARAT SHAH
NAME & SIGNATURE OF OWNER

NAME & SIGNATURE OF ARCHITECT
ATUL PATEL ARCHITECTS
Ar. ATUL PATEL
REGD. NO. CA/2003/32480
(Signature of Architect)
Studio # 1209, The Landmark, Plot No. 26A, Sector - 7, Kharghar, Navi Mumbai - 4120210
E: info@atulpatelarchitects.com T: 022-27746641-42
Date: 27-06-2023 MD - 01 AS SHOWN RUPAL PRABHAKAR 2/4