



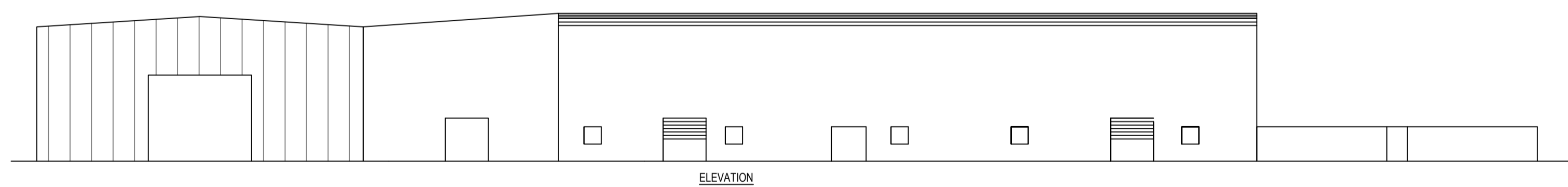
PLAN
(SCALE-1:100)

SCHEDULE OF MACHINERIES

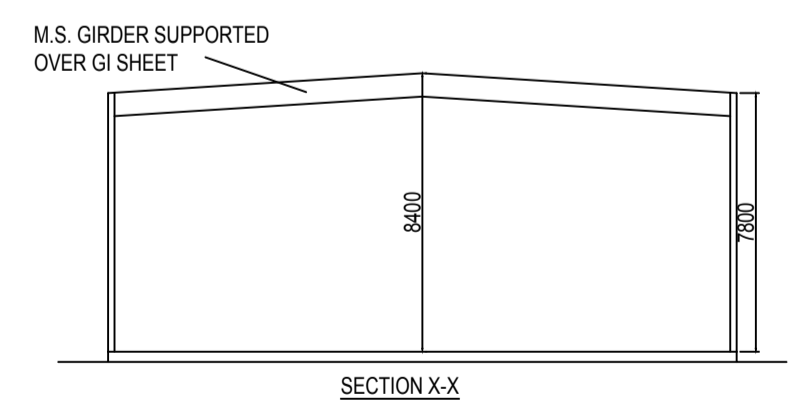
01	EL FURNACE
02	MANUAL FURNACE
03	LATHE
04	AIR COMPRESSOR
05	AIR RECEIVER
06	CNC M/C
07	FIRE EXTINGUISHER

SCHEDULE OF OPENINGS

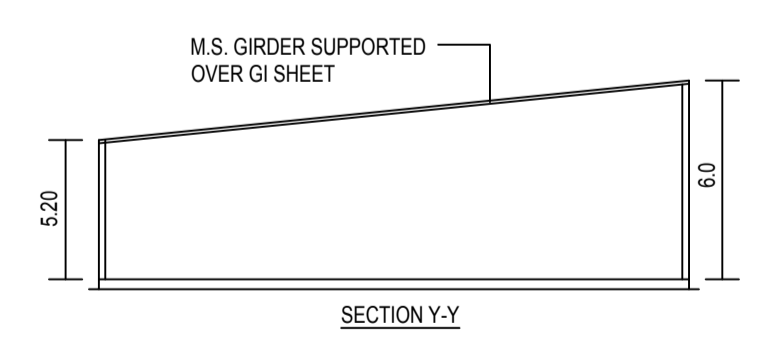
01	DOOR	2.5X2.0
02	D (E.EXIT)	1.0X2.0
03	W	1.5X1.2
04	R.S.	3.0X3.0



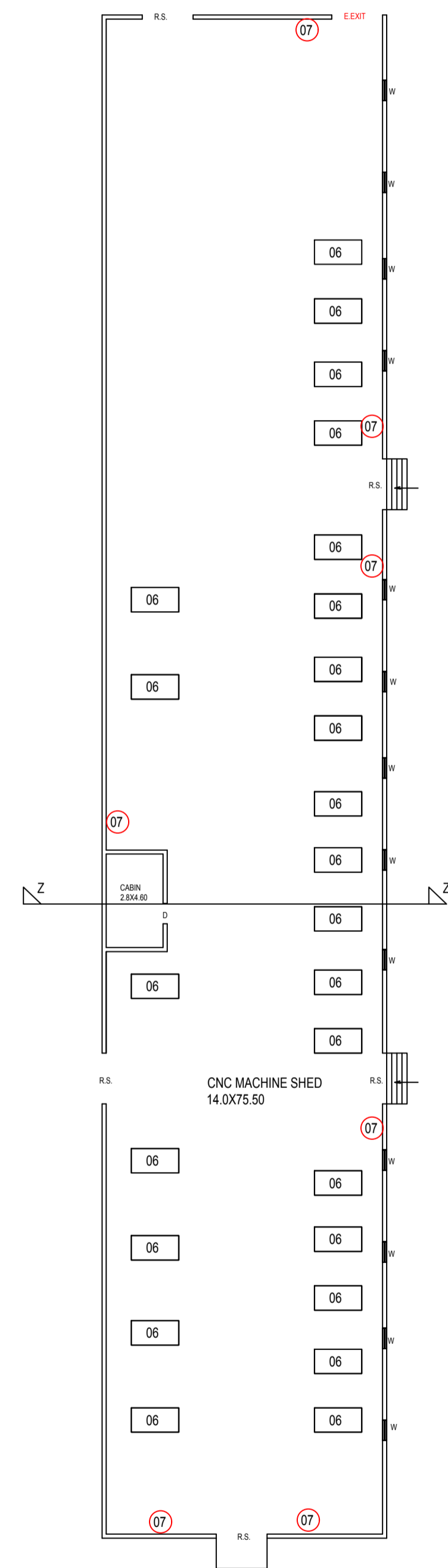
ELEVATION



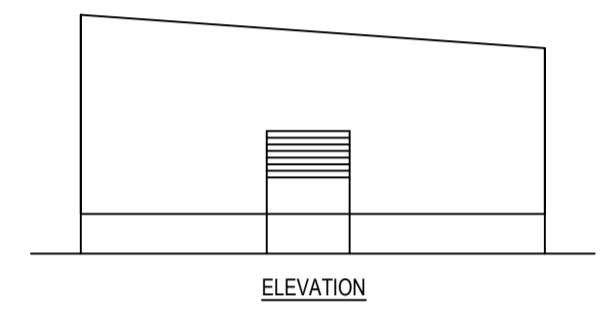
SECTION X-X



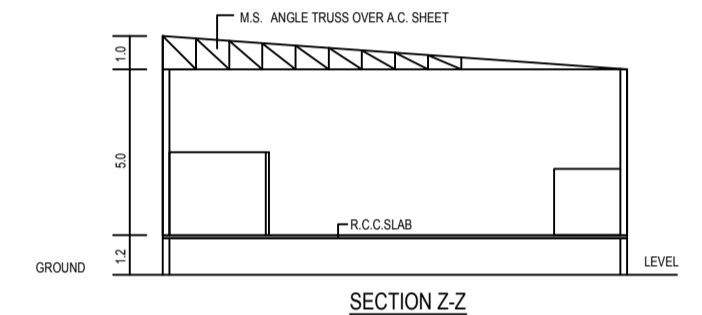
SECTION Y-Y



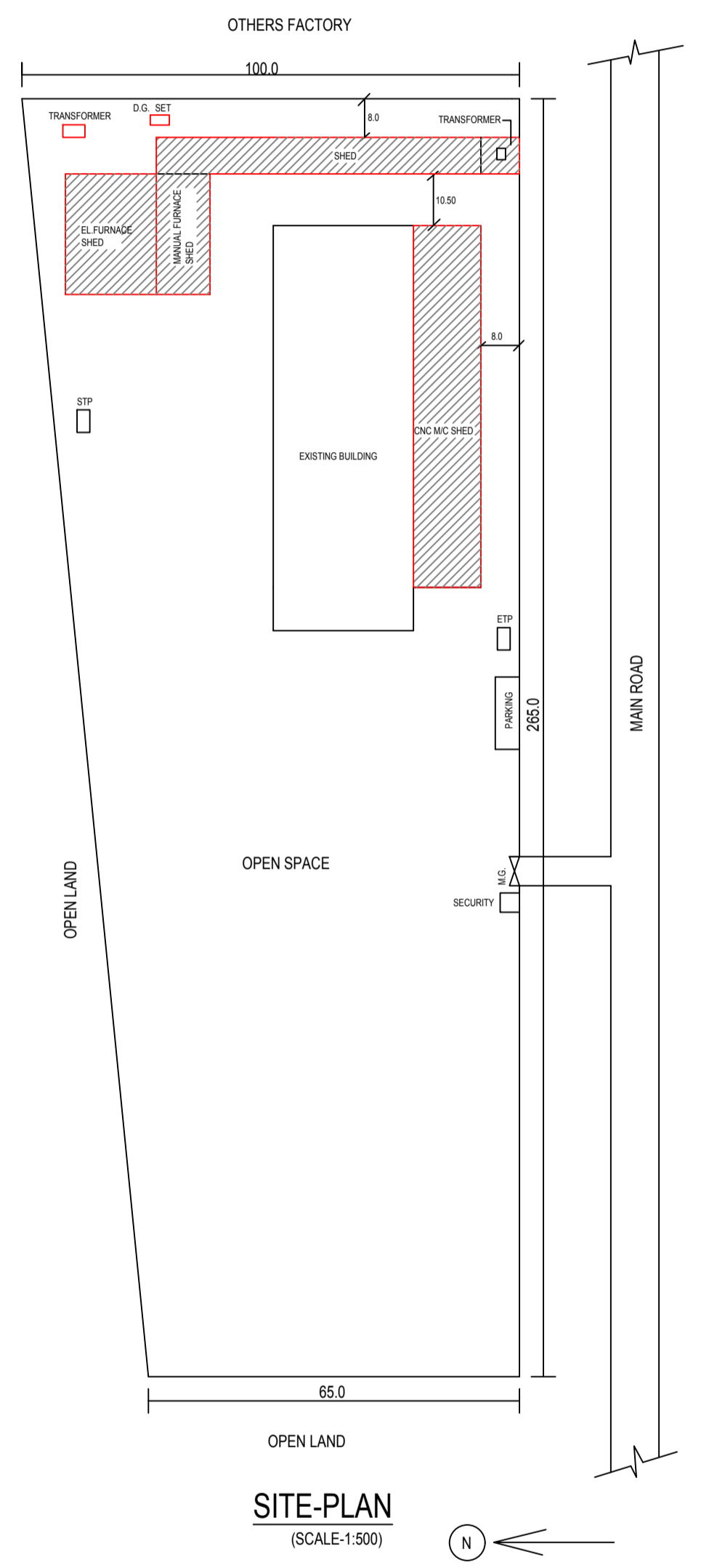
PLAN
(SCALE-1:100)



ELEVATION



SECTION Z-Z



SITE-PLAN
(SCALE-1:500)

EXPANSION AREA SHOWN IN HATCH

EXPANSION PLAN, ELEVATION, SECTION & SITE-PLAN OF M/S. HIMTEKNOFORGE LTD. (UNIT-II) AT PLOT NO. 95-100, SECTOR-II, INDUSTRIAL AREA, PITHAMPUR, DISTRICT- DHAR.(M.P.)